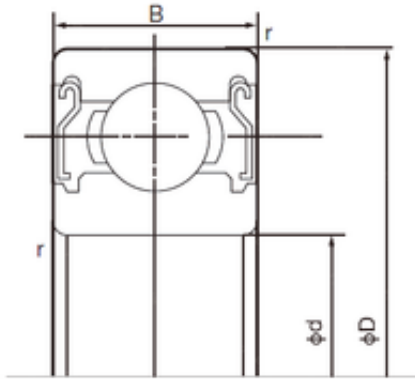




# EDB BEARING CORP.

## 100 mm x 125 mm x 13 mm 65BAR10S Thrust Angular Contact Ball Bearing 65x100x16.5mm



Bearing No. 6820ZZ

6820ZZ Bearing 2D drawings and 3D CAD models

|                               |                          |
|-------------------------------|--------------------------|
| Size                          | 100x125x13 mm            |
| Bore Diameter                 | 100 mm                   |
| Outer Diameter                | 125 mm                   |
| Width                         | 13 mm                    |
| d                             | 100 mm                   |
| D                             | 125 mm                   |
| B                             | 13 mm                    |
| C                             | 13 mm                    |
| r min.                        | 1 mm                     |
| da min.                       | 105 mm                   |
| Da max.                       | 120 mm                   |
| ra max.                       | 1.0 mm                   |
| Weight                        | 0.311 Kg                 |
| Basic dynamic load rating (C) | 19,6 kN                  |
| Basic static load rating (C0) | 21,2 kN                  |
| Category                      | Single Row Ball Bearings |
| Inventory                     | 0.0                      |
| Manufacturer Name             | NACHI                    |
| Minimum Buy Quantity          | N/A                      |
| Weight / Kilogram             | 0.313                    |
| EAN                           | 4991893806953            |
| Product Group                 | B00308                   |
| Enclosure                     | 2 Metal Shields          |
| Precision Class               | ABEC 1   ISO P0          |
| Maximum Capacity / Filling    | No                       |



## EDB BEARING CORP.

|                           |   |
|---------------------------|---|
| Slot                      |   |
| Rolling Element           | Ball Bearing  |
| Snap Ring                 | No  |
| Internal Special Features | No  |
| Internal Clearance        | C0-Medium   |
| Inch - Metric             | Metric  |
| Long Description          | 100MM Bore; 125MM Outside Diameter; 13MM Outer Race Diameter; 2 Metal Shields; Ball Bearing; ABEC 1   ISO P0; No Filling Slot; No Snap Ring; No Internal Special Features |
| Category                  | Single Row Ball Bearing   |
| UNSPSC                    | 31171504  |
| Harmonized Tariff Code    | 8482.10.50.68   |
| Noun                      | Bearing   |
| Keyword String            | Ball  |
| Manufacturer URL          | <a href="http://www.nachi.com">http://www.nachi.com</a>   |
| Manufacturer Item Number  | 6820 ZZ BV2S  |
| Weight / LBS              | 0.69  |
| Outside Diameter          | 4.921 Inch   125 Millimeter   |
| Outer Race Width          | 0.512 Inch   13 Millimeter  |
| Bore                      | 3.937 Inch   100 Millimeter   |
| Bore Type                 | Cylindrical Bore  |
| Configuration             | Single Row  |
| Bore Size                 | 100 mm  |
| Width                     | 13 mm   |
| Fillet Radius/Chamfer     | 1 mm  |
| Dynamic Load Rating       | 19,600 N  |
| Static Load Rating        | 21,200 N  |
| Limiting Speed - Grease   | 4,800 rpm   |
| Factor fo                 | 16.0  |
| Radial Clearance          | 0.012 to 0.036 mm   |



## EDB BEARING CORP.

|          |        |
|----------|--------|
| da (min) | 105 mm |
| Da (max) | 120 mm |
| ra (max) | 1 mm   |