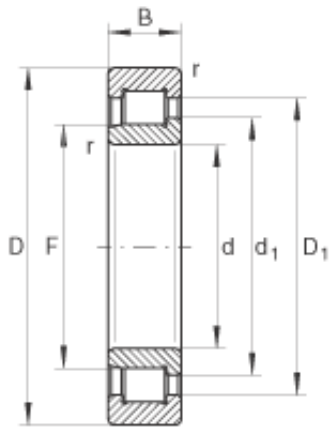




# EDB BEARING CORP.



## 50 mm x 110 mm x 40 mm MSA25LS Linear Guide Rail Block 23x48x40mm

Bearing No. SL192310

SL192310 Bearing 2D drawings and 3D CAD models

Size	50x110x40 mm
Bore Diameter	50 mm
Outer Diameter	110 mm
Width	40 mm
d	50 mm
D	110 mm
B	40 mm
D <sub>1</sub>	89,7 mm
d <sub>1</sub>	68,3 mm
F	60,72 mm
r <sub>min</sub>	2 mm
s	3 mm / Axial displacement
m	1,81 kg / Weight
C <sub>r</sub>	232000 N / Dynamic load rating (radial)
C <sub>0r</sub>	215000 N / Static load rating (radial)
C <sub>ur</sub>	40500 N / Fatigue limit load, radial
n <sub>G</sub>	4200 1/min / Limiting speed
Category	Cylindrical Roller Bearings
Inventory	0.0
Manufacturer Name	SCHAEFFLER GROUP
Minimum Buy Quantity	N/A
Weight / Kilogram	2.167
EAN	4012802695052



## EDB BEARING CORP.

Product Group	B04144
Bore Profile	Straight
Cage Material	None
Precision Class	RBEC 1   ISO P0
Number of Rows of Rollers	Single Row
Separable	Inner Ring - One Side
Rolling Element	Cylindrical Roller Bearing
Profile	Complete with Outer and Inner Ring
Snap Ring	No
Internal Clearance	C0-Medium
Retainer	No
Relubricatable	Yes
Inch - Metric	Metric
Other Features	Full Complement   1 Rib Inner Ring   2 Rib Outer Ring   Operating Temperature From -30 to 120 Deg
Long Description	50MM Bore; Straight Bore Profile; 110MM Outside Diameter; 40MM Width; RBEC 1   ISO P0; Single Row; Inner Ring - One Side Separable; No Snap Ring; Relubricatable; C0-Medium Internal Clearance; No Retai
Category	Cylindrical Roller Bearing
UNSPSC	31171547
Harmonized Tariff Code	8482.50.00.00
Noun	Bearing
Manufacturer URL	<a href="http://www.ina.com">http://www.ina.com</a>
Manufacturer Item Number	SL192310
Weight / LBS	4.778
Outside Diameter	4.331 Inch   110 Millimeter



## EDB BEARING CORP.

Width	1.575 Inch   40 Millimeter
Bore	1.969 Inch   50 Millimeter