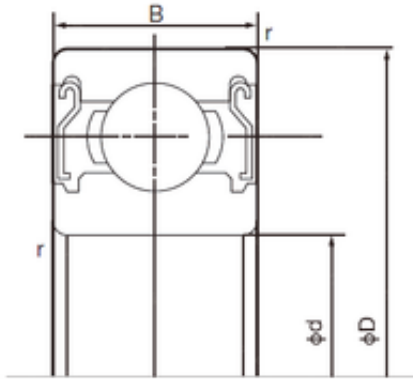




# EDB BEARING CORP.

## 70 mm x 150 mm x 35 mm TRH45VE Linear Guide Rail Block 45x86x70mm



Bearing No. 6314ZZE

6314ZZE Bearing 2D drawings and 3D CAD models

Size	70x150x35 mm
Bore Diameter	70 mm
Outer Diameter	150 mm
Width	35 mm
d	70 mm
D	150 mm
B	35 mm
C	35 mm
r min.	2.1 mm
da min.	82 mm
Da max.	138 mm
ra max.	2.0 mm
Weight	2.52 Kg
Basic dynamic load rating (C)	104 kN
Basic static load rating (C0)	68 kN
Category	Single Row Ball Bearings
Inventory	0.0
Manufacturer Name	NACHI
Minimum Buy Quantity	N/A
Weight / Kilogram	0
Product Group	B00308
Enclosure	2 Metal Shields
Precision Class	ABEC 1   ISO P0
Maximum Capacity / Filling Slot	No



## EDB BEARING CORP.

Rolling Element	Ball Bearing
Snap Ring	No
Internal Special Features	No
Cage Material	Steel
Internal Clearance	C0-Medium
Inch - Metric	Metric
Long Description	70MM Bore; 150MM Outside Diameter; 35MM Outer Race Width; 2 Metal Shields; Ball Bearing; ABEC 1   ISO P0; No Filling Slot; No Snap Ring; No Internal Special Features; C0-Medium Internal Clearance; Ste
Other Features	Deep Groove
Category	Single Row Ball Bearing
UNSPSC	31171504
Harmonized Tariff Code	8482.10.50.68
Noun	Bearing
Keyword String	Ball
Manufacturer URL	<a href="http://www.nachiamerica.com">http://www.nachiamerica.com</a>
Inner Race Width	0 Inch   0 Millimeter
Bore	2.756 Inch   70 Millimeter
Outside Diameter	5.906 Inch   150 Millimeter
Outer Race Width	1.378 Inch   35 Millimeter
Bore Type	Cylindrical Bore
Configuration	Single Row
Bore Size	70 mm
Width	35 mm
Fillet Radius/Chamfer	2.1 mm
Dynamic Load Rating	104,000 N
Static Load Rating	68,000 N
Limiting Speed - Grease	4,600 rpm



## EDB BEARING CORP.

Factor fo	13.2
Radial Clearance	0.010 to 0.030 mm
da (min)	82 mm
Da (max)	138 mm
ra (max)	2 mm