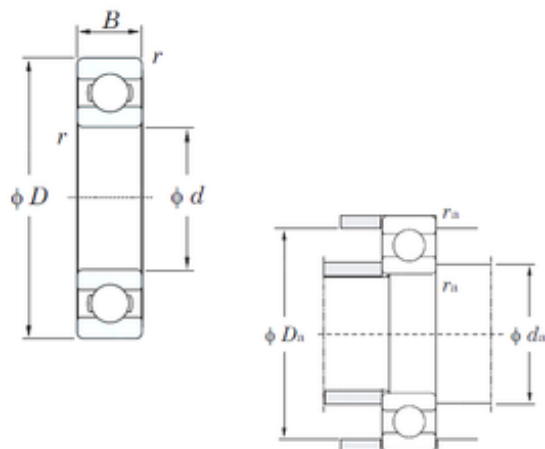




EDB BEARING CORP.



30 mm x 47 mm x 9 mm SFS08020-3.8 Ball
Screw Nut 77x125x120mm

Bearing No. 6906

6906 Bearing 2D drawings and 3D CAD models

Size	30x47x9 mm
Bore Diameter	30 mm
Outer Diameter	47 mm
Width	9 mm
d	30 mm
D	47 mm
B	9 mm
C	9 mm
r min.	0,3 mm
da min.	32 mm
Da max.	45 mm
ra max.	0,3 mm
Weight	0,045 Kg
Basic dynamic load rating (C)	7,25 kN
Basic static load rating (C0)	5 kN
(Grease) Lubrication Speed	14000 r/min
(Oil) Lubrication Speed	17000 r/min
Category	Single Row Ball Bearings
Inventory	0.0
Manufacturer Name	KOYO
Minimum Buy Quantity	N/A
Weight / Kilogram	0.054
EAN	0605790086472
Product Group	B00308
Enclosure	Open



EDB BEARING CORP.

Precision Class	ABEC 1 ISO P0
Maximum Capacity / Filling Slot	No
Rolling Element	Ball Bearing
Snap Ring	No
Internal Special Features	No
Cage Material	Steel
Internal Clearance	C0-Medium
Inch - Metric	Metric
Long Description	30MM Bore; 47MM Outside Diameter; 9MM Outer Race Diameter; Open; Ball Bearing; ABEC 1 ISO P0; No Filling Slot; No Snap Ring; No Internal Special Features
Category	Single Row Ball Bearing
UNSPSC	31171504
Harmonized Tariff Code	8482.10.50.68
Noun	Bearing
Keyword String	Ball
Manufacturer URL	http://www.koyousa.com
Manufacturer Item Number	6906
Weight / LBS	0.119
Outside Diameter	1.85 Inch 47 Millimeter
Bore	1.181 Inch 30 Millimeter
Outer Race Width	0.354 Inch 9 Millimeter
Bearing No.	6906
r(min)	0.3
Cr	9.05
C0r	5.00
Cu	0.260
f0	15.8
Grease lub.	14000



EDB BEARING CORP.

Oil lub.	17000
da(min)	32
Da(max)	45
ra(max)	0.3
(Refer.)Mass(kg)	0.045